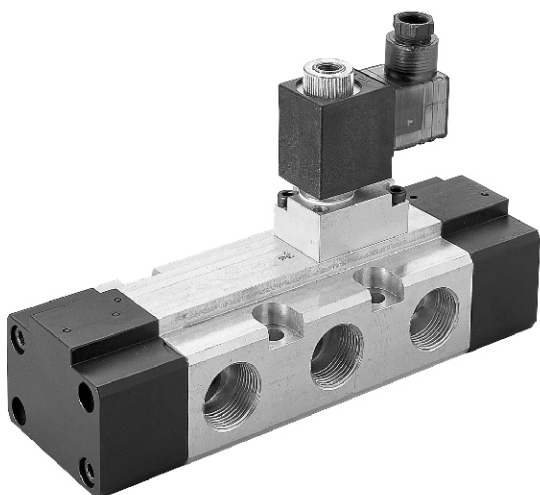


# MVSE-600 series

## SOLENOID VALVE



### Specification:

Model	MVSE-600-4E1	MVSE-600-4E2
Bore No.	20A , 25A	
Port size	PT 3/4 , PT 1	
No. of port	5	
No. of position	2	
Medium	Air	
Operating pressure range	2~7 kgf/cm <sup>2</sup>	
Proof pressure	10 kgf/cm <sup>2</sup>	
Effective orifice	20A: 96 mm <sup>2</sup>	
	25A: 100 mm <sup>2</sup>	
Response time	80 ms	
Ambient temperature	-5~+50°C (No freezing)	
Voltage	AC110V, AC220V (50/60)Hz, DC24V	
Power consumption	AC=13/11VA, DC=10W	
Available voltage range	±10%	
Insulation class	H class	
Weight	1817 g	2102 g

### Order example of valve:

**MVSE — 600 — 4E2 — 25A — AC110 — L — BSP**

MODEL

BODY WIDTH

4: 4way

E1: Single Solenoid  
E2: Double Solenoid

BORE SIZE

20A: PT 3/4  
25A: PT 1

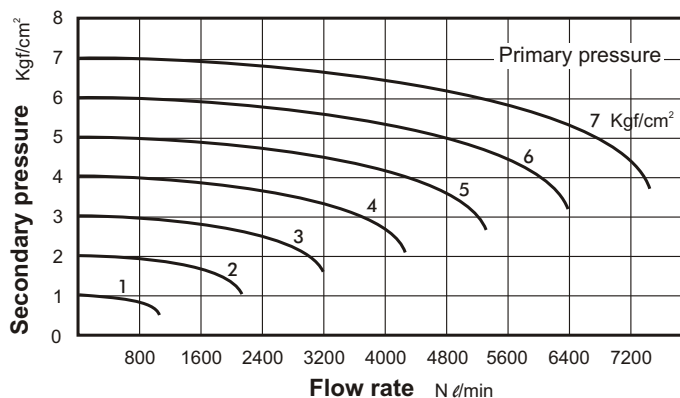
VOLTAGE

AC220V(50/60)Hz  
AC110V(50/60)Hz  
DC24V

Blank: DIN connector  
L: LED indicator

PORT THREAD  
Blank: PT thread  
BSP: BSP thread  
NPT: NPT thread

### Flow features:



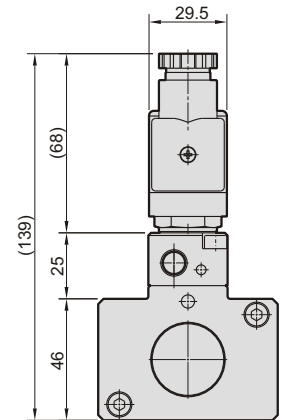
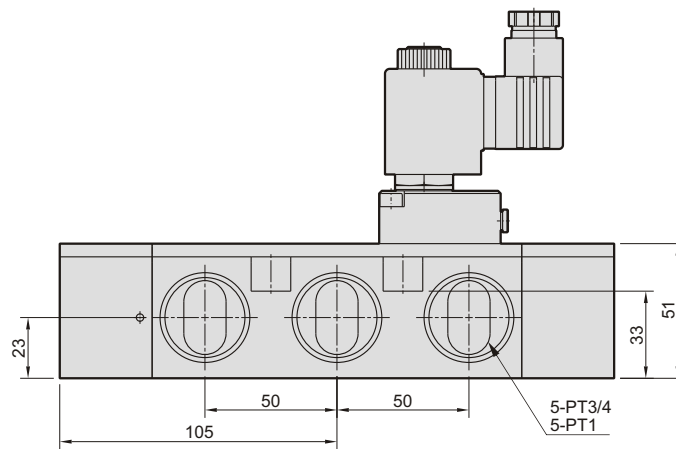
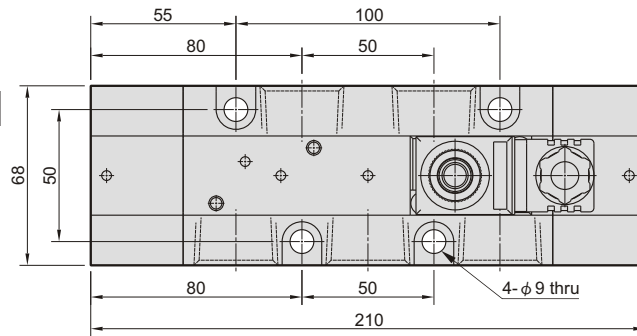
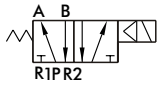
# MVSE-600

## SOLENOID VALVE



### Dimensions:

#### MVSE-600-4E1



#### MVSE-600-4E2

